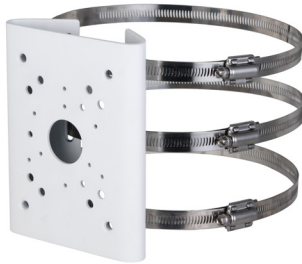


# DH-PFA150-T

## Pole Mount Bracket



- Built of SECC and SUS304 material.
- Simple, elegant and convenient to use.
- Supports being installed on large vertical poles.
- The enhanced buckle makes the pole bracket tighter and firmer.



### System Overview

Mounting Bracket works with front-end services, supporting installation methods such as wall mount, pole mount, corner mount and in-ceiling mount. Select brackets are designed to suit complex scenes, making them convenient to use in environments with high temperatures, humidity, frequent vibrations, and in locations that are highly corrosive. These highly reliable brackets are easy to install and use.

### Scene

Works with front-end devices and in temperatures ranging  $-40^{\circ}\text{C}$  to  $+60^{\circ}\text{C}$  ( $-40^{\circ}\text{F}$  to  $+140^{\circ}\text{F}$ ) with humidity  $< 90\%$ .

### Technical Specification

#### Structure

|                      |   |
|----------------------|---|
| Material             | SECC, SUS304  |
| Packaging Dimensions | 177.0 mm × 80.0 mm × 177.0 mm (6.97" × 3.15" × 6.97") (L × W × H) |
| Product Dimensions   | 130.4 mm × 170.0 mm × 45.0 mm (5.13" × 6.69" × 1.77") (L × W × H) |
| Net Weight           | 1.35 kg (2.98 lb)   |
| Gross Weight         | 1.43 kg (3.15 lb)   |
| Load bearing         | 12.0 kg (26.46 lb)  |
| Installation         | Pole Mount  |
| Pole Diameter        | $\Phi 100\text{ mm} - 270\text{ mm}$ ( $\Phi 3.94" - 10.63"$ )    |
| Applicable Model     | Please see "Camera Accessories Selection"                         |
| Appearance Color     | White   |

#### Environment

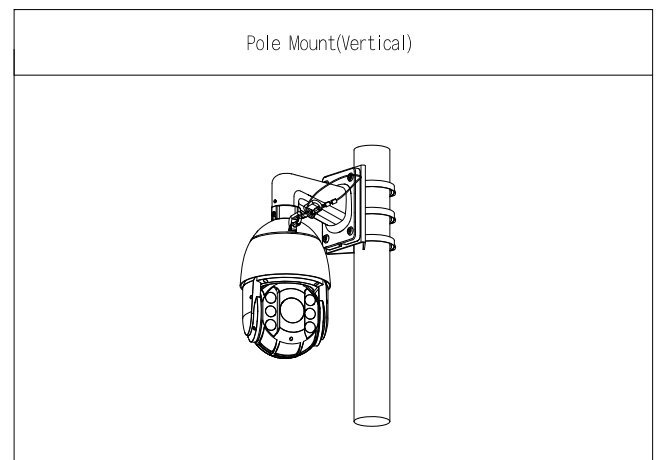
|                       |  |
|-----------------------|--|
| Operating Temperature | $-40^{\circ}\text{C}$ to $+60^{\circ}\text{C}$ ( $-40^{\circ}\text{F}$ to $+140^{\circ}\text{F}$ ) |
| Operating Humidity    | $< 90\%$ (RH)  |

|                     |  |
|---------------------|--|
| Storage Temperature | $-40^{\circ}\text{C}$ to $+80^{\circ}\text{C}$ ( $-40^{\circ}\text{F}$ to $+176^{\circ}\text{F}$ ) |
| Storage Humidity    | 10%–90% (RH)   |

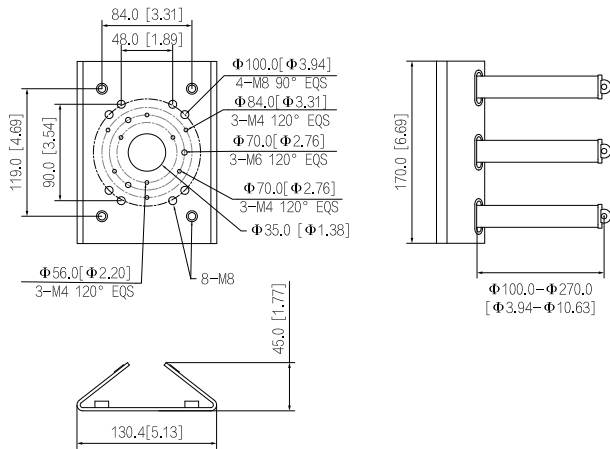
### Ordering Information

| Type         | Model       | Description        |
|--------------|-------------|--------------------|
| Camera Mount | DH-PFA150-T | Pole Mount Bracket |

### Installation



## Dimensions (mm[inch])



## Package Information

- Pole mount bracket × 1
- M8 × 25 screw × 4
- 100-270 mm metal hoop: 3
- S6.0 wrench × 1
- M6 × 14 screw × 3