

# DHI-ITALE-160BA-IR8-P

## Strobe LED Illuminator



### System Overview

DHI-ITALE-160BA series of illuminator is a high performance ITC auxiliary light which supports synchronized illumination for snapshots and videos. Added thermal-protective design on structure to provide long product life, it can also link with ITC cameras through RS-485 to automatically turn on at night with adjustable brightness.

### Functions

#### Low Cost Maintenance

The Illuminator supports linking camera (traffic cameras only) through RS-485, displaying illuminator status, power and more information.

#### Synchronized Capture

The LED strobe synchronizes the camera capture to perform better illumination effect on human faces and other details inside car window.

#### Brightness Adjustable

With wide adjustment range, the brightness of the LED strobe can be configured on the camera web interface or client.

#### Adjustable Pulse Width

You can set the pulse width of the LED strobe to 0 ms–3 ms.

#### Failure Display

Supports remotely displaying the running or fault status of the illuminator on the web interface of camera (only our traffic enforcement cameras) to improve maintenance efficiency.

#### Creative Structure

Streamline design, simple appearance and high saturation greatly improve the waterproof and dust-free protection level. The inside heat dissipation design prevents the illuminator from overheating damage effectively.

- O&M: Supports displaying equipment online status, fault status, working status, equipment power, equipment temperature, equipment photosensitive value and other operation and maintenance status information of the illuminator in real time through RS485 on cameras or intelligent cabinets.
- Adjustable brightness: Supports adjusting the LED strobe brightness from 1 to 20.
- Adjustable pulse width: Supports configuring the pulse width of the flashlight as 0 ms to 3 ms.
- Strobe duration: Supports calculating the device service life through the duration of the strobe shines.
- Strobe cascading: Supports controlling multiple illuminators with one camera, through the connection between the Strobe synchronization output line and the strobe trigger line of the next illuminator, to achieve the effect of multi-lane synchronization illumination.
- Creative structure: Streamline design, simple appearance and high saturation greatly improve the protection level (waterproof and dust-free). The inside heat dissipation design prevents the illuminator from overheating damage effectively.
- Wide voltage power supply: Supports 100–240 VAC power supply.

### Scene

The illuminator is primarily used for ANPR and E-police systems to provide lights for recognizing license plates (especially at night) and other vehicle attributes (such as vehicle models), and capturing traffic violations.

## Technical Specification

### Basic

Light Type	LED
Light Source	IR (wavelength 850 nm)
Center Illuminance	< 23 uW/cm <sup>2</sup> (20 m illumination)
Illumination Distance	18 m–35 m (59.06 ft–114.83 ft)

### LED

Frequency	The integer multiple of camera refreshing frequency
LED Quantity	42 (high-brightness LED)
Luminous Flux	16 W
Strobe Pulse Width	0 ms–3 ms
Strobe Delay	0 ms–4 ms
Strobe Time	Records total strobe time
Lens Illuminating Angle	10° × 30°

### Function

Day/Night	Sensitivity adjustable (1–6)
Operating Mode	Strobe
Status Indication	Displays real-time device online and light status
Power Detection	Displays real-time power of the device
Temperature Detection	Displays real-time temperature of the device
Photosensitivity Value	Display real-time device photosensitivity value
Cascade	Strobe cascading
Remote Failure Display	Current and voltage detection
Brightness	LED: 1–20 levels of brightness
Recording and Illumination Synchronization	Yes

### Port

Strobe Input	1
RS-485	1

### General

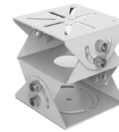
Power Supply	100–240 VAC
Power Consumption	60 W
Operating Temperature	–40 °C to +65 °C (–40 °F to +149 °F)
Operating Humidity	10%–90% (non-condensing)
Protection	IP66
Product Dimensions	258 mm × 250 mm × 84 mm (10.16" × 9.84" × 3.31") (L × W × H)
Net Weight	3.6 kg (7.94 lb)
Gross Weight	4.1 kg (9.04 lb)
Installation	Bracket mount

## Ordering Information

Type	Model	Description
Illuminator	DHI-ITALE-160BA-IR8-P	LED IR strobe (850 nm)
Accessories	8018	3-dimensional universal mounting bracket

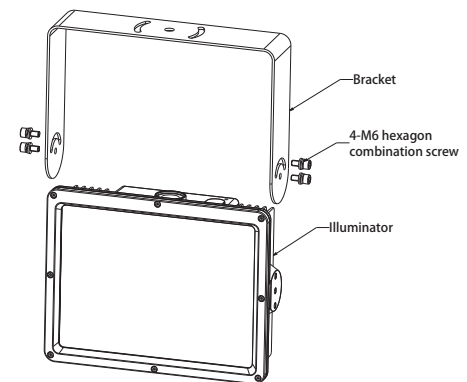
## Accessories

### Optional:

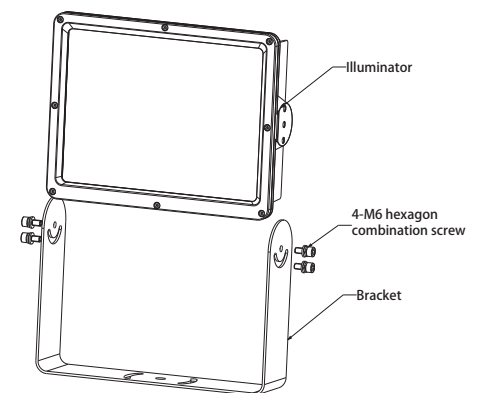


8018  
3-dimensional universal  
mounting bracket

### Hang mount



### Upright mount



Dimensions (mm[inch])

