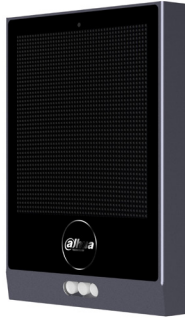


DHI-ITSXS-1201-44

Entrance and Exit LED Display



The LED display adopts highlighted display module with built-in illuminator. Metal casing and power-sprayed coating meet the requirements of outdoor using. It supports displaying and broadcasting custom content with available configurations of screen brightness, volume, speed and male/female voice. Self-adaptive adjustment of illuminator brightness and automatic match of communication baud rate are available. The display supports multiple languages, including Chinese, English, Japanese, Korean, Thai and Arabic.

Functions

Custom Content

Displays and broadcasts custom content with available configurations of screen brightness, volume, speed and male/female voice.

Environment Illumination

Built-in illuminator makes the display free of external light.

Self-adaptive Brightness Adjustment

Supports self-adaptive adjustment of screen and illuminator brightness.

Self-adaptive Baud Rate Match

Communicates through RS-485, and automatically match baud rate among 9,600 bps, 38,400 bps and 115,200 bps.

Multi-language Display

Supports multiple languages, including Chinese, English, Japanese, Korean, Thai and Arabic. Custom language is available.

Program Update

Update program and character library of the display through the camera.

- Highlighted LED module displays in 64 × 64 lattice diagram (4.75 mm pixel pitch) with adjustable brightness
- Supports voice broadcast
- 3 built-in LED illuminators with adjustable brightness
- Supports screen bad pixel (abnormal LED) detection
- Supports online update of program and character library
- Conforms to EMC CLASS A standards
- Conforms to ROHS standards

Scene

Applicable to malls, hospitals, schools, residential areas, office buildings, stations and parking lots.

Technical Specification

Basic

Monitor	LED (displays in red, green and yellow)
Dimensions	304 mm × 304 mm (11.97" × 11.97") (L × W)
Display Content	Displays license plate information, time, charge information, remaining parking space, custom information, etc.
Pixels Configuration	1R1PG
Resolution	4,096 dots (64 × 64); 4 lines; pixel pitch: 4.75 mm (0.19")
Service Life	100,000 hours
Screen Brightness	1,500 cd/m ² (adjustable)
Number of LED	3

Function

Screen Bad Pixel Detection	Yes
Audio	Yes

External Port

RS-485	1
Audio Input	1 channel

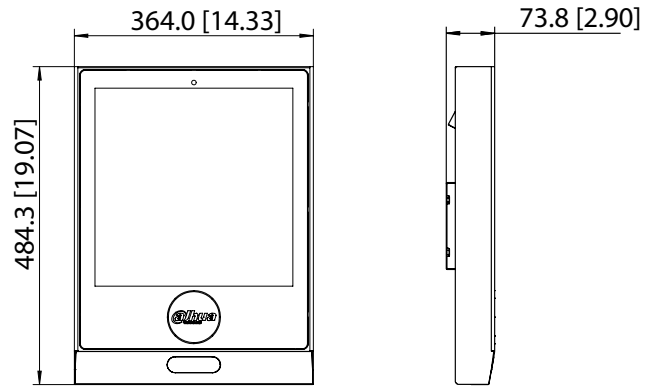
General

Power Supply	100 V–240 V AC
Power Consumption	< 40 W

LED Display | DHI-ITSXS-1201-44

Operating Temperature	-30 °C to +70 °C (-22 °F to +158 °F)
Operating Humidity	10%–90% (non-condensing)
IP Rating	IP54
Product Dimensions	364 mm × 484 mm × 60 mm (14.33" × 19.06" × 2.36") (L × W × H)
Net Weight	7 kg (15.43 lb)
Gross Weight	8 kg (17.64 lb)
Installation	Pole mount (bracket)

Dimensions (mm[inch])



Ordering Information

Type	Model	Description
LED Display	DHI-ITSXS-1201-44	Industrial entrance and exit LED display

Installation

